



BAUER

FOR A GREEN WORLD



MAGNUM SM

Pumps for slurry and viscous liquids

MAGNUM

Powerful chopper of MAGNUM pumps can handle up to 12% solids

Radial housing

Large-dimensioned pumping channel ensures unobstructed delivery of viscous liquids.

Cutting flange

High-grade casting and hardened cutting edges guarantee long life. Excellent cutting performance on cutting edges and impeller. Enormous pumping capacity due to large inlet diameter. Easily readjusted to maintain the ideal gap for cutting.

Impeller

Special casting with hardened cutting edges. Higher efficiency by ideal runner blade geometry. Excellent pumping capacity and best suited for viscous liquids due to screw-type impeller centre.

Mechanical seal

Sealing and sliding faces made of silicone carbide. Suited also for abrasive media. Fit for liquids from 4 to 12 pH.

Rinsing connection

Designed for flushing the seal chamber with clean water to keep fibres and solids from settling. The result: higher operational safety and longer life.

Compact spur gearing

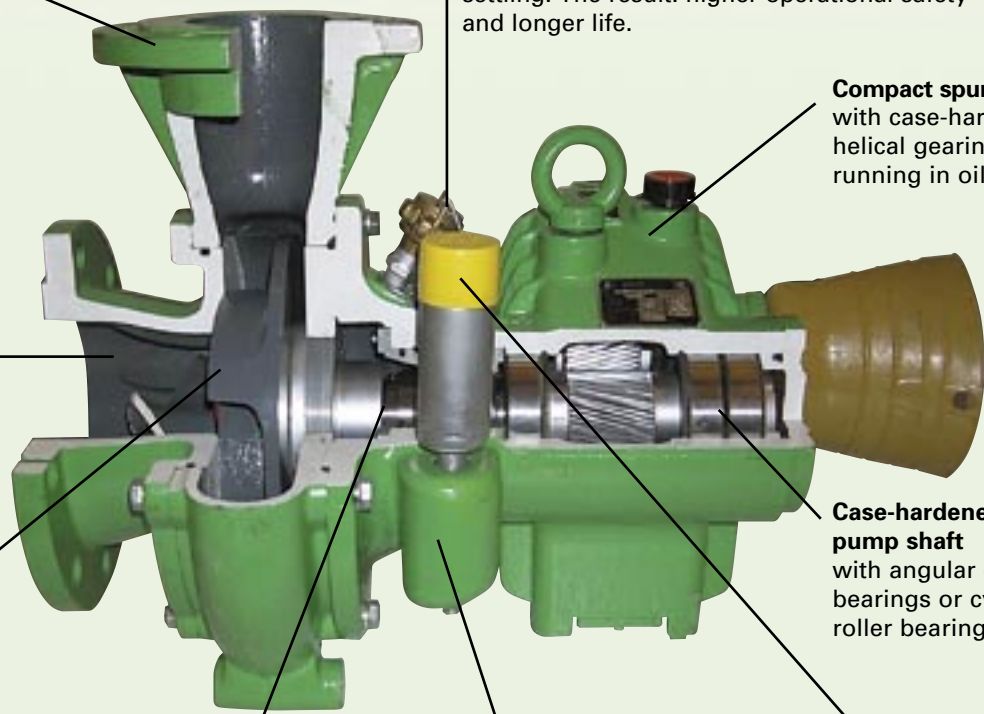
with case-hardened helical gearing running in oil-bath.

Case-hardened pump shaft

with angular contact ball bearings or cylindrical roller bearings.

Oil-filling socket and safety overflow

when slurry gets into the oil reservoir.



Powerful chopper

BAUER gear and pedestal pumps with the powerful chopper are suitable also for slurry or liquids with long fibres.

HD design

Special coating on edges of impeller and cutting flange ensures maximum wear-resistance and service life. Best suited for heavy-duty applications, for instance contracting companies. Available also in chromium steel casting.





Special open impeller blade design and large cross section guarantee maximum performance



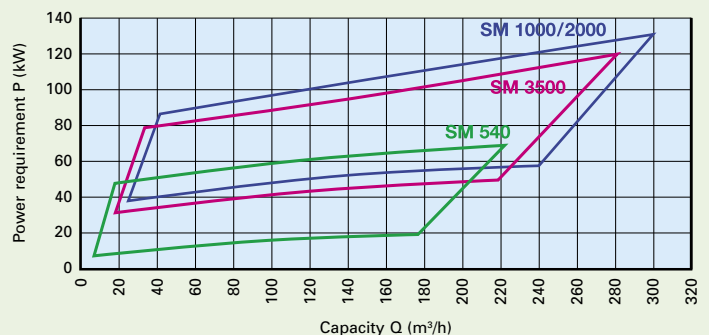
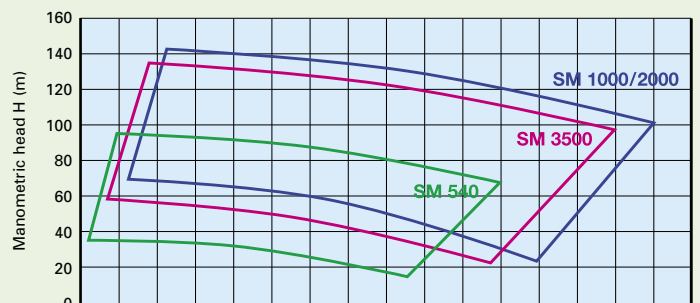
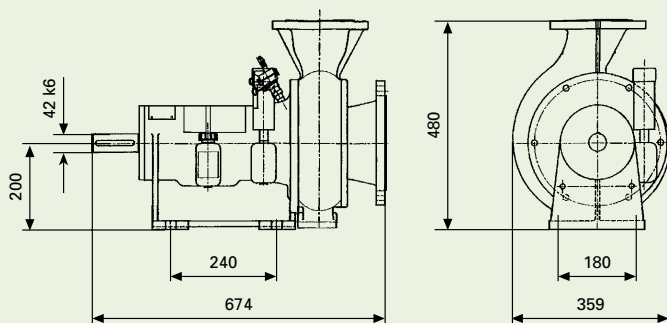
■ MAGNUM SM 3500

Pedestal pump with free shaft end for direct or V-belt drive. Tempered-steel shaft with cylindrical roller bearings, running in oil bath.



■ MAGNUM SM 1000 / SM 2000 ■ MAGNUM SM 540

Tractor gear pump with 540 or 1000 rpm input speed. SM 2000 for direct drive with Diesel engine.



*) All values apply to water



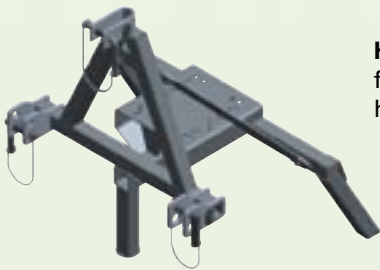
SM 3500 with electric drive

MAGNUM	SM 1000 L4	SM 2000 L4	SM 540 L4	SM 3500 L4
Driving power kW	up to 135	up to 135	up to 65	up to 120
Driving speed rpm	1000	2000	540	3500
Capacity m³/h	40 – 300	40 – 300	40 – 200	40 – 280
Head m	140 – 102	140 – 102	95 – 70	131 – 97



Self-priming unit for centrifugal pump

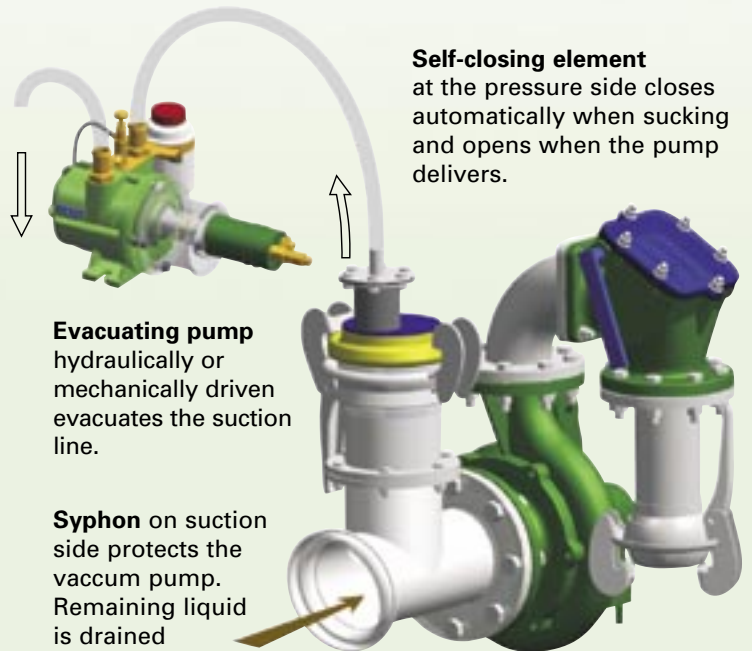
- fills the suction line quickly and automatically
- works without manual valve application
- after the filling process the self-priming unit is deactivated



Hoisting frame
for 3-point linkage,
hot dip galvanized.



Pump trolley
for SM 1000 and SM 540,
vertically adjustable, got
galvanized.



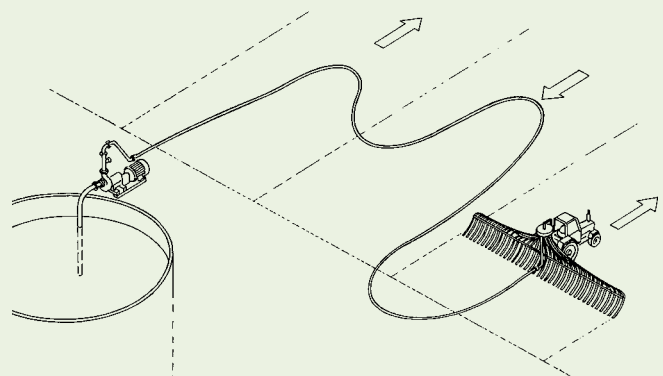
Self-closing element
at the pressure side closes
automatically when sucking
and opens when the pump
delivers.

Evacuating pump
hydraulically or
mechanically driven
evacuates the suction
line.

Syphon on suction
side protects the
vacuum pump.
Remaining liquid
is drained
automatically into
the suction stream
as soon as pump starts
delivering.

Typical applications

- Feeding slurry distributing systems such as:
- hose lines with different distributing systems
 - irrigation machines with ASG boom cart
 - mounted on slurry tanker



Your dealer:

Röhren- und Pumpenwerk BAUER GmbH
8570 Voitsberg, Austria
Phone +43 3142 200-0
Fax +43 3142 200-320 / -340
www.bauer-at.com, sales@bauer-at.com