



# PANEL FAN

The Panel fan was one of the first ventilators to be dedicated to animals. Over the years, we have improved it to make this it the best entry-level ventilation for intensive livestock. Keeping your cows cooled and getting a wide coverage, the Panel fan is a great partner to maintain your production.

## HOUSING

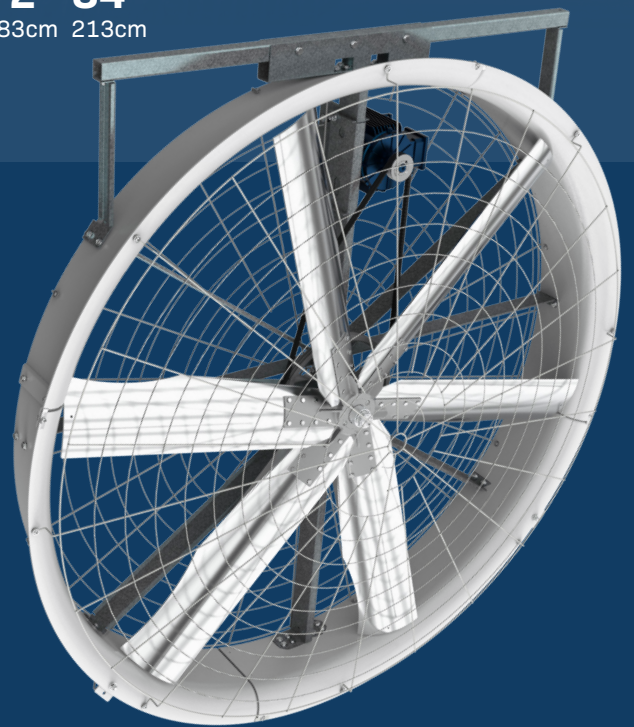
- Made with durable and corrosion-free fiber composite
- We added a thicker layer of U.V. protection on the housing surface for years of durability
- An extra inside layer of resin to give smooth surface for easy maintenance and cleaning
- Airflow design to maximize the efficiency

**55" 72" 84"**

140cm 183cm 213cm

## IMPELLER

- Heavy-duty and precise bearing assembly with double protection greased seals
- Shaft fixed on a quick-mount
- Blades are made with thick aluminum alloy
- High efficient belts with moulded notches
- Long belt can be changed easily without removing any parts



## OPTIONS

- 1 or 3 phase motor
- OSHA safety guard
- Variable frequency drive (VFD)
- High-pressure fogging kit
- Guards in heavy-gauge galvanized zinc wire and powder coating finishing to prevent corrosion
- Different configuration of support are available to install the recirculation fan inside your building

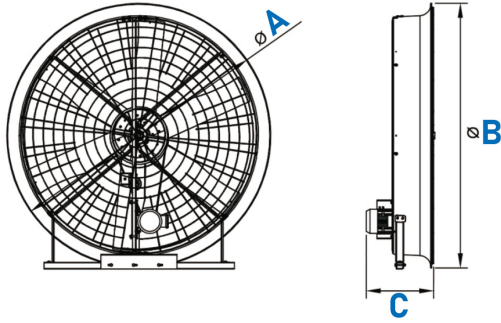
## MOTOR & SUPPORT

- Built-in central steel support, this design provides strong vertical support that aligns the impeller centred in the orifice for maximum performance
- Motor is fixed on a motor base quick-attach
- We only use stainless steel hardware #304



# PANEL FAN

**55"** 140cm    **72"** 183cm    **84"** 213cm



SIZES (mm)	A	B	C
<b>55"</b>	1590	1590	465
<b>72"</b>	2080	2080	530
<b>84"</b>	2600	2600	600



General info	84" BD	72" BD	55" BD
Nominal size blade	213cm	183cm	140cm
Bade material	Aluminum		
RPM propeller	360	350	400
Power (kW)	4.0 kW	2.2 kW	1.1 kW
M <sup>3</sup> /h (airflow rate)	118 619	82 644	43 669
W/1000 m <sup>3</sup> /h (efficacy)	30.01	24.13	24.91
Thrust (lbf)	79.1	51.95	24.89
Thrust Efficiency Ratio (lbf/kW)	22.22	26.05	22.88
CFM (airflow rate)	69 776	48 614	25 688
CFM/W (efficacy)	19.6	24.13	23.61
Volt options	200-230-380-400-415-460-600		
Hz	50/60		
Phase	1 or 3		
Motor enclosure	IP55		
Recommended height ceiling	5meter	4.5meter	4.3meter
Size product Height x Width (cm)	260x60	208x54	160x42
Weight (Kg)	145	125	61



The products show in this brochure are covered by a limited warranty. Due to our continual effort to provide better products and service; literature, products, performance data and prices may change without notice.

## GET IN CONTACT WITH US

Brett Zickert  
 920-960-0825  
 bzickert@agromatic.net