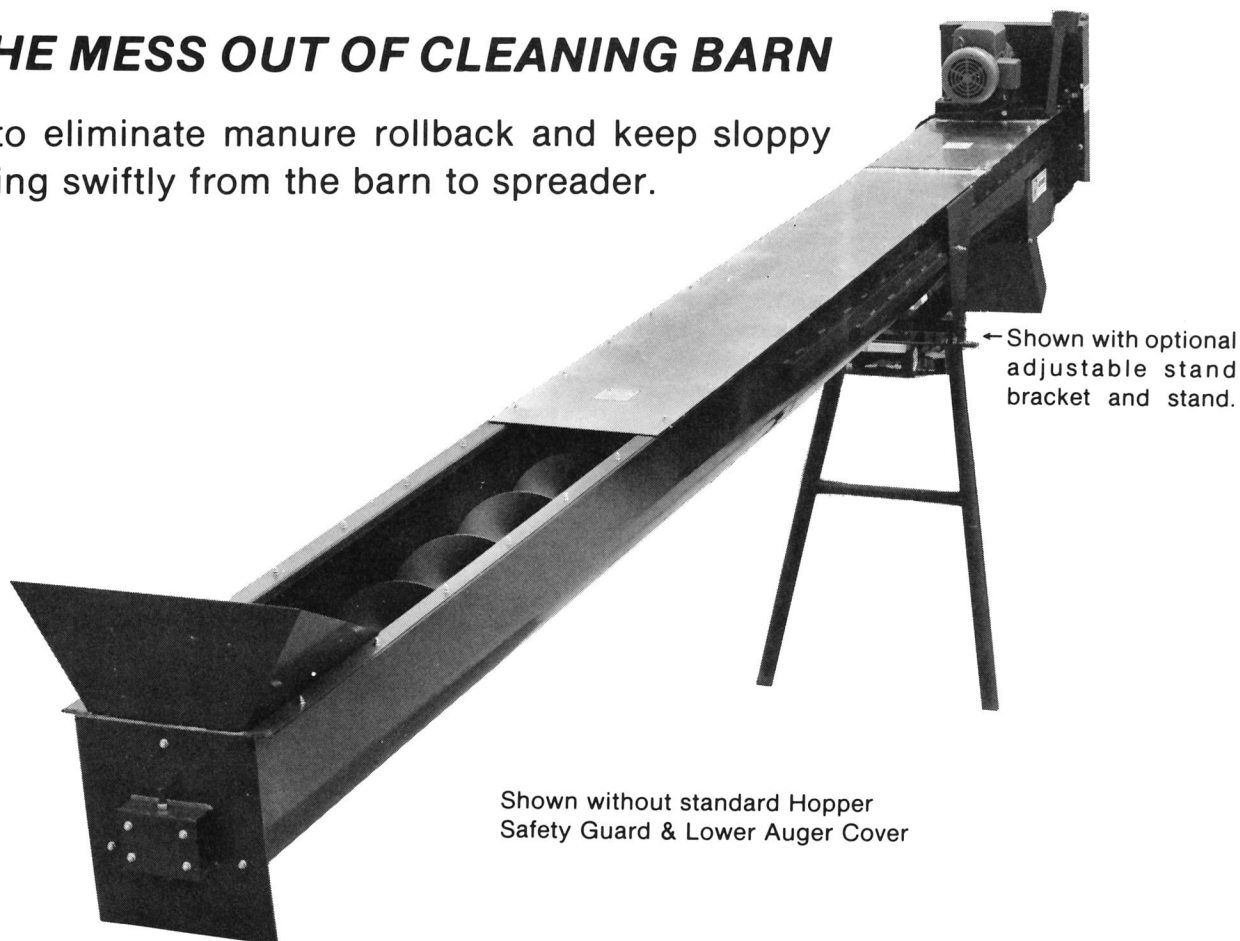




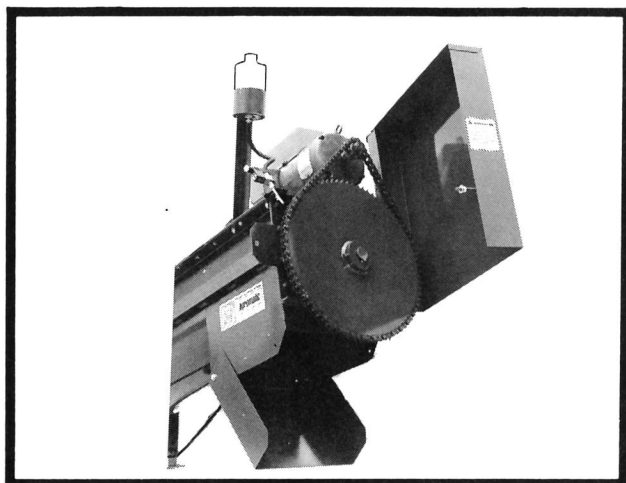
# MANURE AUGER CONVEYOR

## TAKE THE MESS OUT OF CLEANING BARN

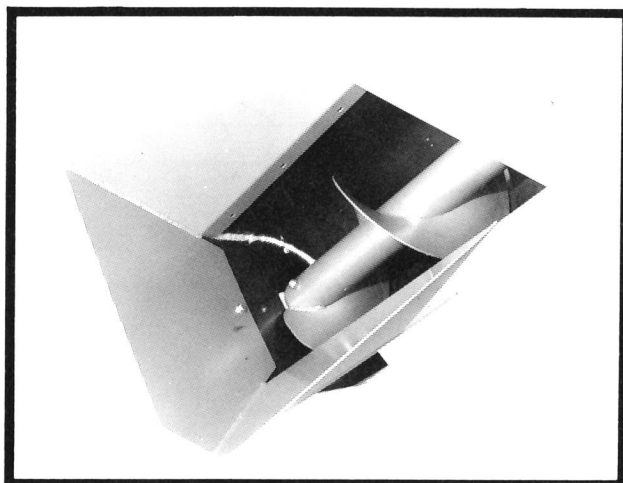
Designed to eliminate manure rollback and keep sloppy liquid flowing swiftly from the barn to spreader.



Shown without standard Hopper  
Safety Guard & Lower Auger Cover



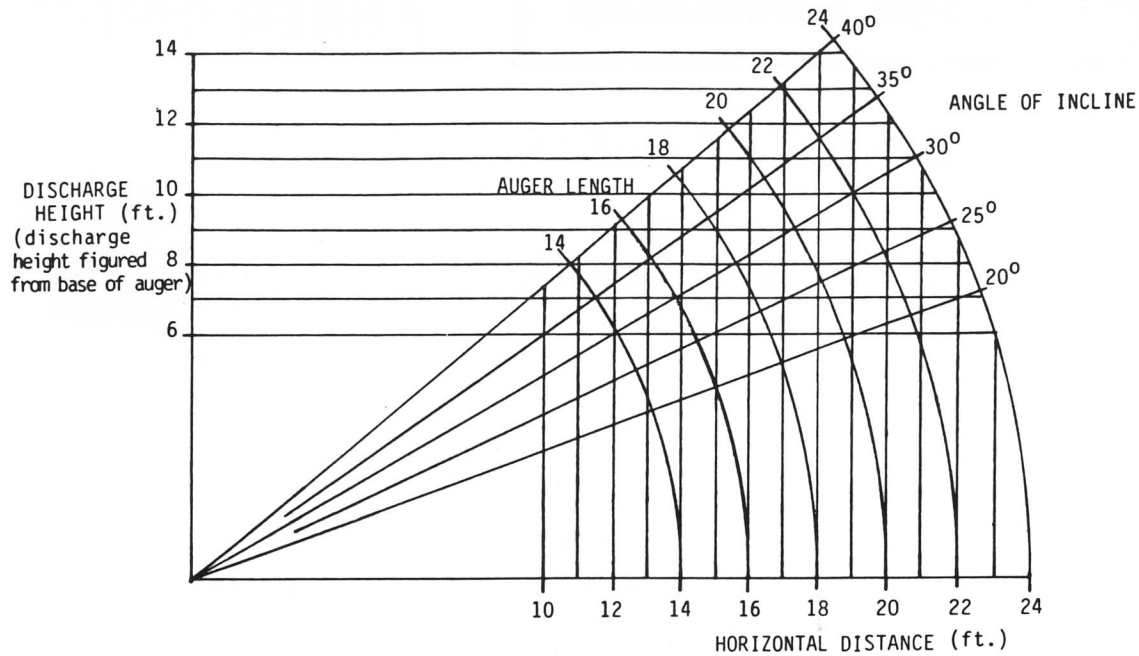
- The drive unit features heavy duty #60 roller chain **heaviest drive on the market.**
- Exclusive automatic oiler for longer chain and sprocket life.
- Auger RPM's range from 216 to 300 with sprocket change on motor, can be set up to solve your manure problems.
- Adjustable discharge trough and OSHA approved chain guard.



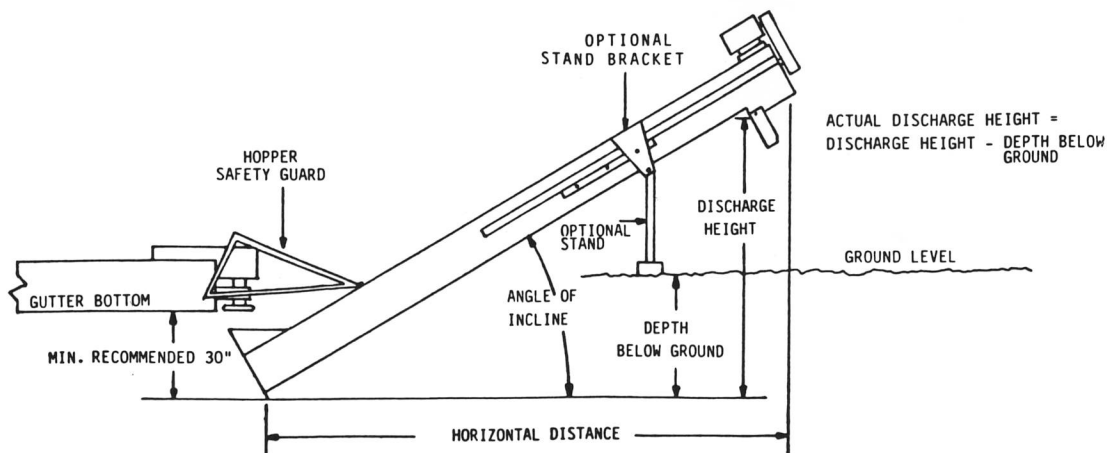
- 12" diameter auger with **heavy** 1/4" thick flighting and a 10% forward lean mounted on 4" one piece tube for Models 14'-20', 2 3/8" two piece auger tube for 24' Models.
- Bottom auger bearing is constructed of high density U.H.M.W. plastic and can be replaced from inside or outside trough.
- 13" trough is lined with polyethylene plastic to promote longer life and move manure easier.
- Polyethylene liner is held down with angles allowing for expansion, contraction, and ease of replacement, not riveted or bolted in.

MANUFACTURED IN WISCONSIN BY A.F. KLINZING CO., INC.

# MANURE AUGER INCLINE AND LENGTH CHART



**EXAMPLE: AN 18' AUGER INSTALLED AT 35° WOULD HAVE A DISCHARGE HEIGHT OF 9' 4" FROM BASE OF AUGER AND A HORIZONTAL DISTANCE OF 14' 9".**



**BEFORE OPERATING, ALL GUARDS AND COVERS MUST BE IN PLACE FOR YOUR PROTECTION.**

**OPTIONS-Adjustable stand mounting bracket, stand legs, sliding gate assembly for pit installations.**

## SPECIFICATIONS

TROUGH = 13" Wide 14½" Deep

AUGER = Model MA1010, 12" Dia. ¼" Flighting  
4" Auger Tube

Model MA1060, 12" Dia. ¼" Flighting  
2½" Auger Tube

AUGER SPEED = 216-300 R.P.M. Standard 216

DRIVE UNIT = #60 Roller Chain Drive

HORSE POWER REQUIRED = 5 or 7½ H.P.

AVAILABLE LENGTHS = Model MA1010, 14', 16', 18' & 20'  
Model MA1060, 14', 16', 18' & 20'  
22' & 24'. All with Center Bearing Hanger.



Division of A.F. Klinzing Co., Inc.  
N6989 Rolling Meadows Drive  
P.O. Box 29  
Fond du Lac, WI 54936-0029

Telephone: 920-922-1970  
Toll free: 800-800-5824  
Fax: 920-922-1750

SOLD BY: