

Weaverline Air Raid Parts Manual Model 118



WEAVERLINE

www.weaverline.com

WEAVERLINE Warranty, Parts & Service

WARRANTY

Weaverline air raids are designed and manufactured to high quality standards. Weaverline, LLC therefore guarantees this equipment to be free from defect in workmanship and materials for one (1) year from the date of purchase.

This Warranty is further described as:

- Full warranty on all parts for one (1) year from the date of purchase.

This warranty is for parts only. Warranty does not include labor.

Misuse, abuse, misapplication, and unauthorized alterations will void this warranty.

PARTS AND SERVICE

If you do not know who your local dealer is, or if your local dealer is unable to supply the parts that you need, please contact Weaverline, LLC, 180 Bootjack Road, Churchtown, PA 17555 Phone number 717-445-6724 for information on receiving parts and service.

MODEL AND SERIAL NUMBERS

It is very important that the correct model and serial number is provided when ordering parts.

NOTE:

Weaverline, LLC reserves the right to discontinue models at any time, change specifications, and improve design without incurring obligation on goods previously purchased and to discontinue supplying any part listed when the demand does not warrant production. However, Weaverline tries to supply original parts or a comparable replacement for at least ten (10) years after a model production is stopped.

Figure 1

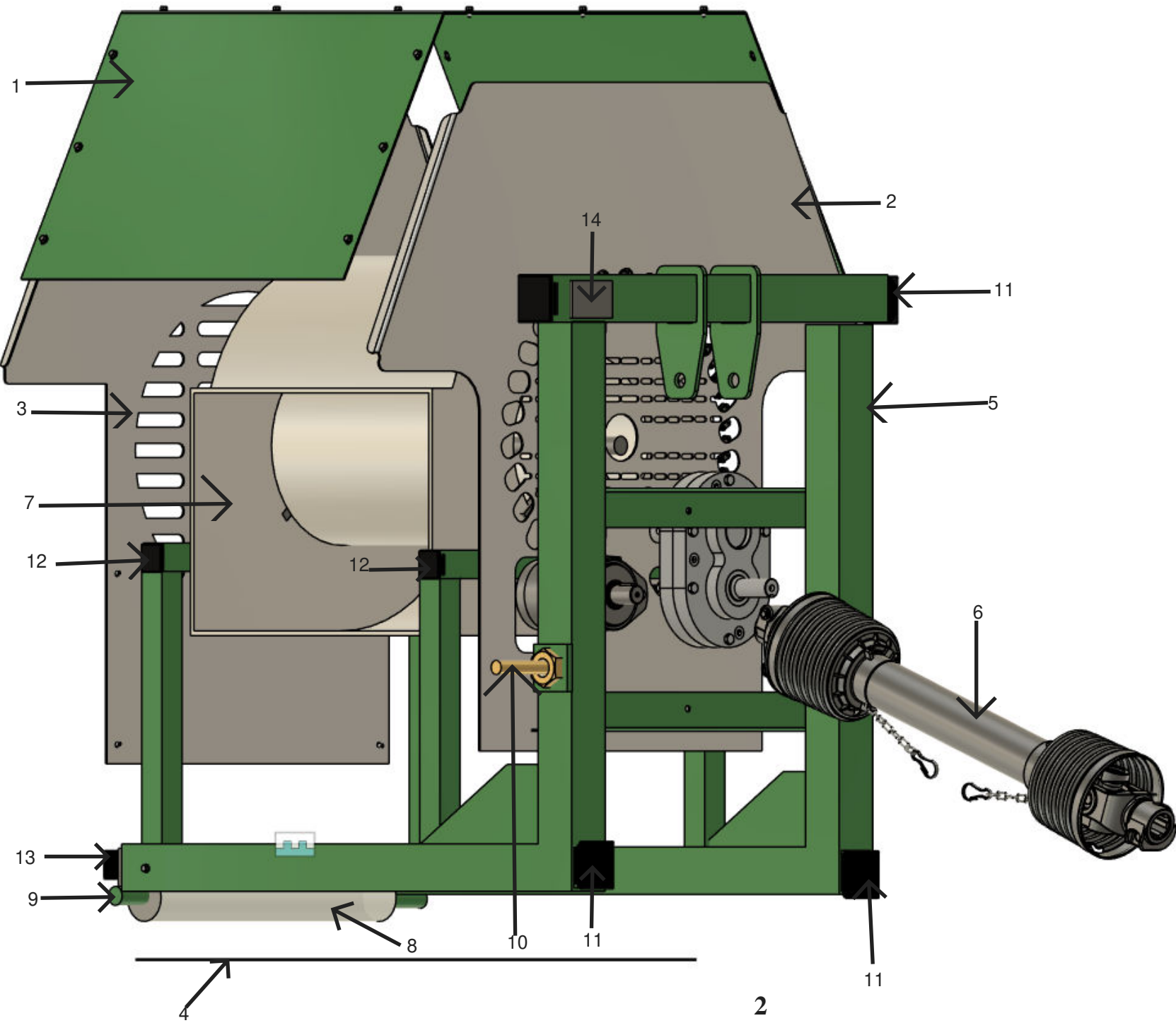


Figure 1

Item	Part Number	Quantity	Description
1	118-104	1	Top Shield
2	118-120	1	Front Shield
3	118-121	1	Rear Shield
4	118-128	1	Bottom Shield
5	118-131	1	Frame W.A.
6	K88268	1	PTO Driveline #1 1-3/8" 6spl, 27
7	118-805	1	Blower
8	118-130	1	Roller
9	118-109	1	Roller Mount LH
		1	Roller Mount RH
10	K88267	2	Lift Arm Pins, CAT-1ADJ
11	118-806	4	Sqr. 2 1/4-10-14 Ribbed Plug
12	118-807	4	Sqr. 1 1/4-14-20 Ribbed Plug
13	118-808	2	Sqr. 2-10-14 Ribbed Plug
14	Serial Plate		

Figure 2

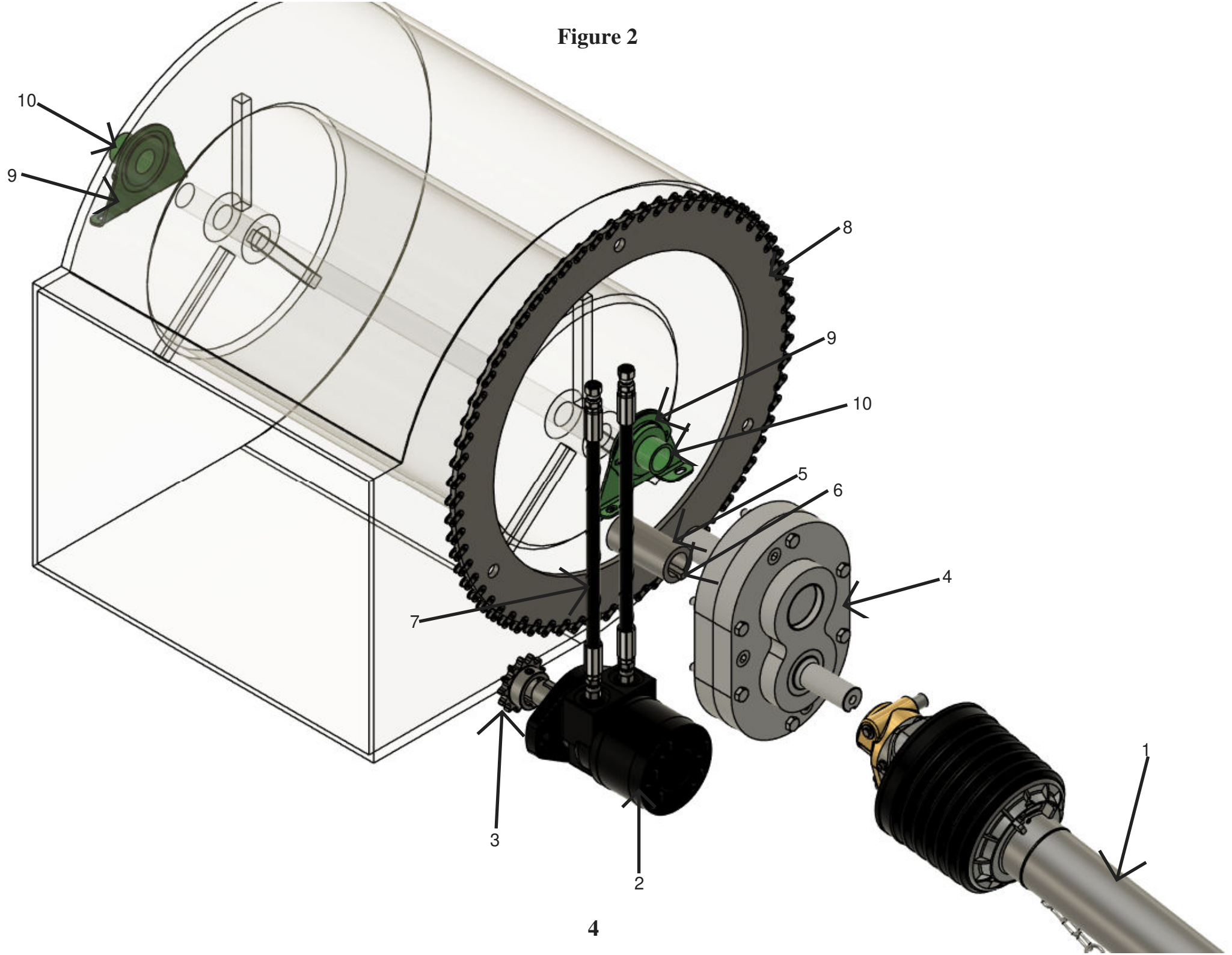


Figure 2

Item	Part Number	Quantity	Description
1	K88268	1	PTO Driveline #1 1-3/8" 6spl, 27
2	118-802	1	Hydraulic Motor
3	202-909	1	Sprocket, 13T X 1" Bore (1/4" Keyway) 40B13
4	118-801	1	Parallel Shaft Gearbox
5	118-129	1	Gearbox to fan coupler
6	69-009	1	Key 1/4" sq. x 1"
7	118-803	2	1/2" dia. Hydraulic Hose 61" Long
8	118-101	1	Rotator Ring
9	202-671	2	Bearing-Pillow Block Includes Item 10
10	202-915	2	Ball Bearing 1" with collar