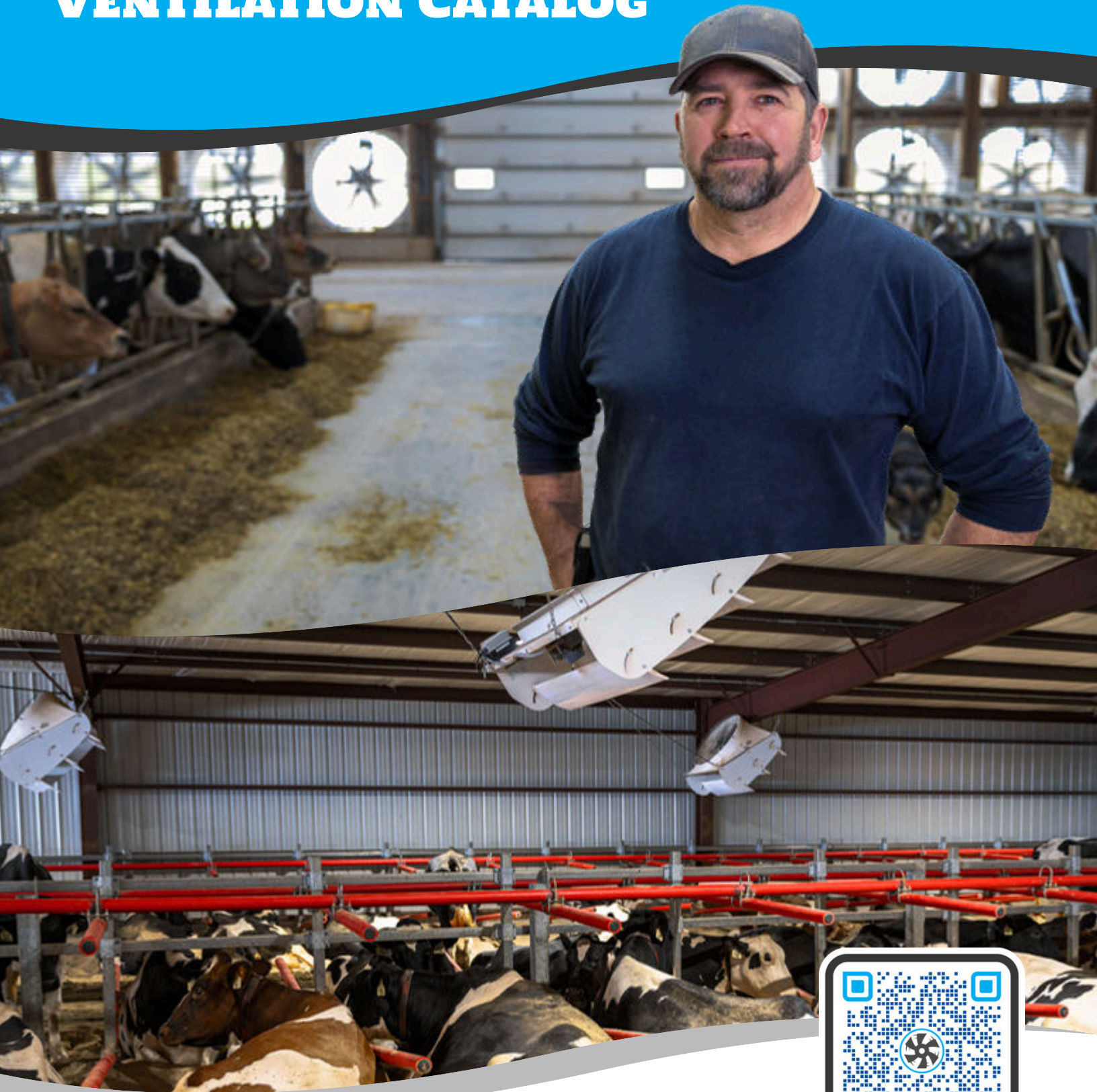


# Agro Air Dynamics VENTILATION CATALOG

2026



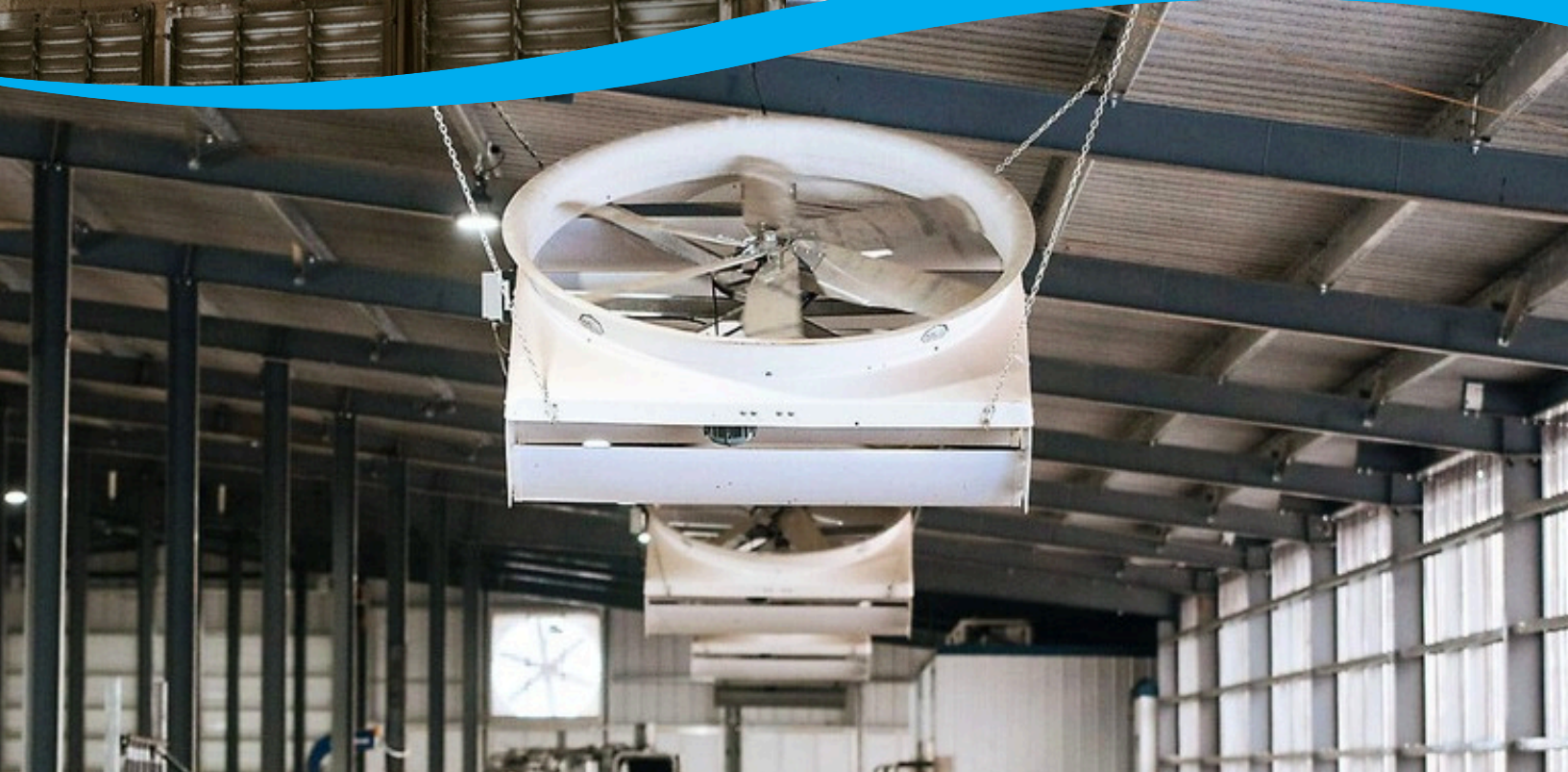
**Scan Now!**

[agromatic.net/agro-air-dynamics/](http://agromatic.net/agro-air-dynamics/)

 (800) 800-5824



Manufactured by:  
**TOPCOOL**





A Division of Agromatic INC.

## Table of Contents:

Cyclone Fans.....2-3

Panel Fans.....4-5

Exhaust Fans.....6-7

Gordie Jones Fans.....8-9

Positive Pressure Fans.....10-11

Basket & Jet Fans.....12-13



# CYCLONE FANS

## TARGETED COOLING



**CYCLONE 84 DD**



**CYCLONE 36 DD**

Directed airspeed is an effective airspeed. Our Cyclone fans have been specially designed to cool cows that are lying down in stalls, where air moved by other methods may not penetrate fully. Their deflectors generate uniform layers of air that blanket an area to keep animals cool and happy, by the bedding dry and insects at bay.

They are the best choice of ventilation wherever cows are lying down, be it in stalls or in open areas.

### **PEAK PERFORMANCES**

Cyclone fan 36: 9,610 CFM  
Cyclone fan 55: 24,950 CFM  
Cyclone fan 72: 48,770 CFM  
Cyclone fan 84: 66,820 CFM

### **WARRANTY**

1-year warranty on 1-phase motors  
2-year warranty on 3-phase motors  
5-year warranty on blades  
10-year warranty on housing

### **OPTIONS**

- Available in sizes:
  - 36", 55", 72", 84"
- Available in Belt Drive and Direct Drive versions
- Save electricity with our variable speed options
- Multiple mounting options and accessories

### **FEATURES + BENEFITS**

- Housing made of a durable fiberglass composite for UV-resistant and corrosion-free product
- Deflectors to maximize efficiency and airspeed at cow-level
- Formed aluminum blades on Belt Drive and nylon blades on Direct Drive
- Belts can be changed quickly without removing any fan parts
- cULus or CE certified motors
- Stainless Steel Hardware

# PERFORMANCE

# 60HZ REGIONS

Model	Drive	Ph	Volt	Hz	HP [kW]	Amps	RPM	Speed	Watts	lbf	lbf/kW	CFM	CFM/W
36	DD	1	230	60	1/2 [0.37]	3.1	860	100%	557	8.4	15.0	9,610	20.1
		3	460	60	1/2 [0.37]	1.3	855	100%	475	8.1	17.0	9,460	21.9
55	BD	3	230/460	60	1.5 [1.1]	4.6/2.3	384	100%	1,220	22.7	18.6	24,132	19.8
	DD*	3	360-460	50/60	1.5 [1.1]	2.1	600	90%	938	24.1	25.7	24,950	26.4
72	BD	3	230/460	60	3 [2.2]	7.7/3.9	350	100%	2,357	48.3	20.5	46,180	20.1
	DD*	3	460	60	3 [2.2]	3.3	400	100%	2,359	55.6	23.6	49,595	21
84	BD	3	460	60	5 [4.0]	6.6	348	100%	3,920	75.3	19.2	66,820	18.0
	DD*	3	460	60	4 [3.0]	4.5	400	100%	3,068	68	22.16	63,204	20.6

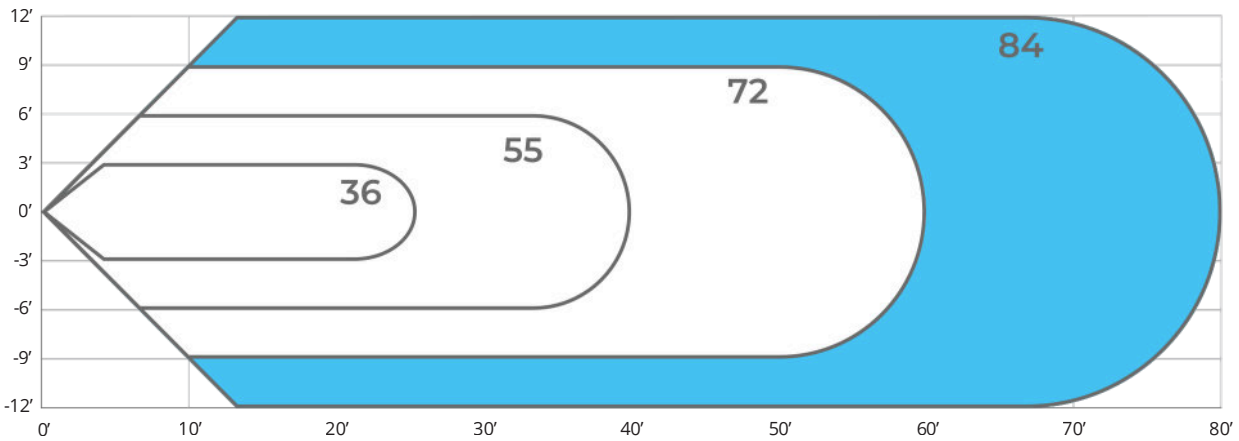
\* EC motor with integrated variable speed control using 0-10VDC and/or Modbus communication.

1) All fans are tested in accordance with AMCA 230-15 standard.

2) Other motor configuration available

3) Ask your representative about our various Direct Drive models

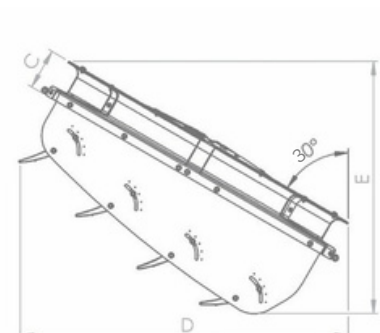
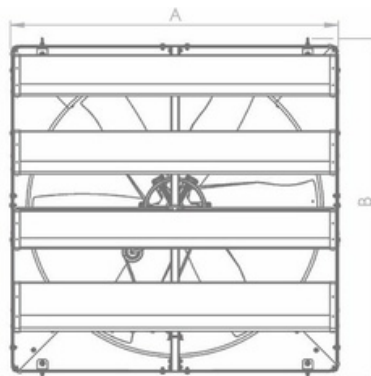
# COVERAGE AREA



\* Coverage area is based on an average airspeed of 400 FPM at cow level (3' above ground).

# DIMENSIONS (INCH)

Model	36	55	72	84
Fan dia.	36"	55"	72"	84"
A	43 1/4"	63 1/4"	81 1/2"	93 1/4"
B	43 1/4"	66"	81 1/2"	93 1/4"
C	17 1/2"	7 7/8"	13 1/4"	13 1/4"
D	44 7/8"	63 3/8"	80 1/8"	89 3/8"
E	44 7/8"	48 5/8"	64"	66 7/8"



# PANEL FANS

## WIDE COOLING

**PANEL FAN 84 DD**



Designed to excel in large areas, they distribute a high volume of swirling air, providing optimal ventilation for feeding alleys and holding areas.

Say goodbye to traditional baffles in cross-ventilated spaces, as our precisely engineered fans ensure consistent airflow, prioritizing the comfort and well-being of your livestock in any environment. We're committed to delivering superior performance, keeping your animals cool, healthy, and thriving. Elevate your livestock ventilation today with our Panel fans.

### **PEAK PERFORMANCES**

Panel fan 36: 10,970 CFM

Panel fan 55: 26,070 CFM

Panel fan 72: 43,870 CFM

Panel fan 84: 63,920 CFM

### **WARRANTY**

1-year warranty on 1-phase motors

2-year warranty on 3-phase motors

5-year warranty on blades

10-year warranty on housing

**PANEL FAN 55 DD**



### **OPTIONS**

- Available in sizes:
  - 36", 55", 72", 84"
- Available in Belt Drive and Direct Drive versions
- Save electricity with our variable speed options
- Multiple mounting options and accessories

### **FEATURES + BENEFITS**

- Housing made of a durable fiberglass composite for UV-resistant and corrosion-free product
- Round and smooth housing to maximize efficiency and minimize cleaning frequency.
- Formed aluminum blades on Belt Drive and nylon blades on Direct Drive
- Belts can be changed quickly without removing any fan parts
- cULus or CE certified motors
- Stainless Steel Hardware

# PERFORMANCE

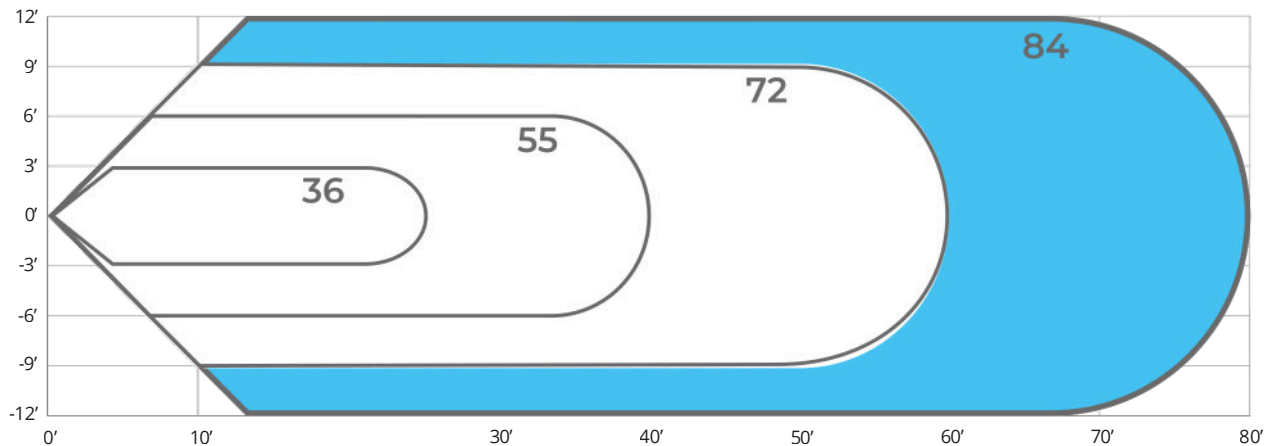
# 60HZ REGIONS

Model	Drive	Ph	Volt	Hz	HP [kW]	Amps	RPM	Speed	Watts	lbf	lbf/kW	CFM	CFM/W
36	DD	1	230	60	1/2 [0.37]	3.1	860	100%	536	10.9	20.3	10,970	20.5
		3	460	60	1/2 [0.37]	1.3	855	100%	468	10.8	23.0	10,900	23.3
55	BD	3	230/460	60	1.5 [1.1]	4.6/2.3	388	100%	1,130	24.0	21.2	24,700	20.8
	DD*	3	460	60	1.5 [1.1]	2.1	542	90%	894	23.5	26.2	24,598	27.5
72	BD	3	230/460	60	3 [2.2]	7.9/3.9	348	100%	2,278	43.5	19.1	43,870	19.1
	DD*	3	460	60	3 [2.2]	3.3	360	90%	1,741	43.1	24.7	43,640	25.1
84	BD	3	460	60	5 [4.0]	6.6	349	100%	3,686	68.9	18.7	63,920	18.0
	DD*	3	460	60	4 [3.0]	5.1	360	90%	2,404	58.9	24.5	58,839	24.5

\* EC motor with integrated variable speed control using 0-10VDC and/or Modbus communication.

- 1) All fans are tested in accordance with AMCA 230-15 standard.
- 2) Other motor configuration available
- 3) Ask your representative about our various Direct Drive models

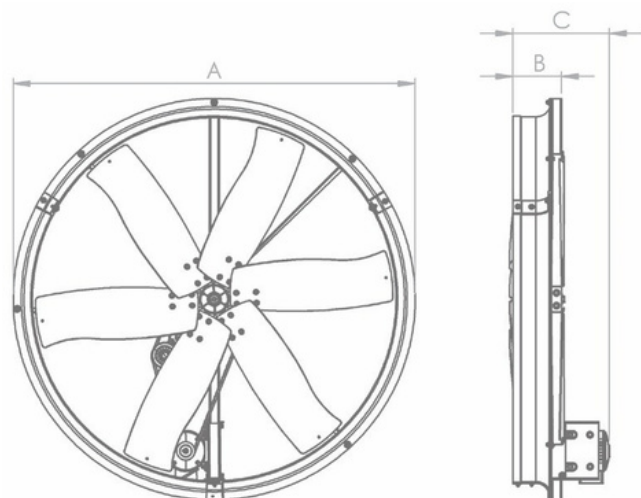
# COVERAGE AREA



\*Coverage area is based on an average airspeed of 400 FPM at cow level (3' above ground).

# DIMENSIONS (INCH)

Model	36	55	72	84
Fan dia.	36"	55"	72"	84"
A	72 7/8"	61 3/4"	81 7/8"	92 7/8"
B	5 3/8"	7 1/2"	11 3/4"	11 3/4"
C	11 3/8"	15"	18"	18 3/4"

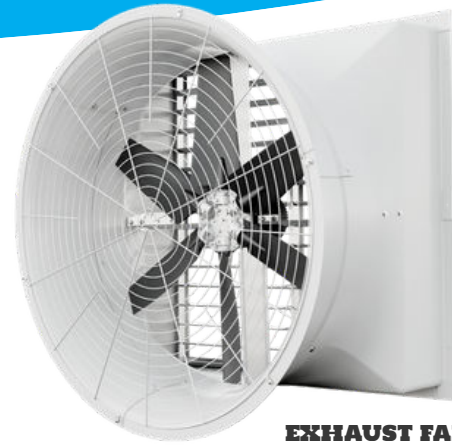


# EXHAUST FANS

## POWERFUL AIR EXTRACTION



**EXHAUST FAN 84 BD**  
*inside view*



**EXHAUST FAN 55 DD**  
*outside view*

These vital units efficiently expel stale air from your barn, making room for a continuous supply of fresh air essential for your livestock well-being. Engineered for steady performance, our Exhaust fans are built tough and are designed to carry out these critical functions without faltering all year long. Crafted with farm-tested components for lasting durability and reliable performance in demanding barn environments.

With sizes ranging from 12" to 84", we offer an Exhaust fan tailored for your application.

### PEAK PERFORMANCES

Exhaust fan 36: 12,000 CFM at 0.1" W.g.  
Exhaust fan 55: 21,570 CFM at 0.1" W.g.  
Exhaust fan 72: 43,110 CFM at 0.1" W.g.  
Exhaust fan 80: 57,620 CFM at 0.1" W.g.  
Exhaust fan 84: 58,550 CFM at 0.1" W.g.

### WARRANTY

1-year warranty on 1-phase motors  
2-year warranty on 3-phase motors  
5-year warranty on blades  
10-year warranty on housing

### OPTIONS

- Available in sizes:
  - 55", 72", 80", 84"
- Smaller Exhaust fans from 12" to 36" are also available
- Available in Belt Drive and Direct Drive versions
- Save electricity with our variable speed options
- Replace the standard PVC shutter with an Insulated Roll-up door to increase fan flow & efficiency. Multiple shutters and winter accessories available.

### FEATURES + BENEFITS

- Housing made of a durable fiberglass composite for UV-resistant and corrosion-free product
- Nylon blades on all direct Direct Drive and Model 72 to 84 Belt Drive. Aluminum blades on other Belt Drive models.
- Belts can be changed quickly without removing any fan parts
- cULus or CE certified motors
- Stainless Steel Hardware

# PERFORMANCE

# 60HZ REGIONS

Model	Drive	Ph	Volt	Hz	HP [kW]	Amps	RPM	Speed	CFM 0"	CFM/ W 0"	CFM 0.1"	CFM/ W 0.1"	CFM 0.2"	CFM/ W 0.2"
36	BD	3	230/460	60	1.5 [1.1]	4.6/2.3	655	100%	11,133	11.2	9,570	9.3	6,452	6.7
	DD	3	360-460	50/60	1 [0.75]	1.9	840	100%	13,478	16.6	12,000	13.9	9,910	10.9
55	BD	3	230/460	60	1.5 [1.1]	4.6/2.3	388	100%	23,066	20.7	18,487	15.2	12,140	9.7
	DD*	3	460	60	1.5 [1.1]	7.1	540	90%	22,750	28.3	19,587	20.9	15,877	15
72	BD	3	230/460	60	3 [2.2]	7.9/3.9	348	100%	47,749	20.2	43,113	17.2	36,366	13.9
	DD*	3	460	60	3 [2.2]	3.3	361	90%	39,778	25.3	34,483	19.9	28,312	15.2
80	DD*	3	460	60	4 [3.0]	5.1	400	90%	60,515	32.7	52,188	25	40,110	18.5
84	BD	3	460	60	5 [4.0]	6.6	356	100%	63,687	22.2	58,547	18.7	51,165	15.2

\* EC motor with integrated variable speed control using 0-10VDC and/or Modbus communication.

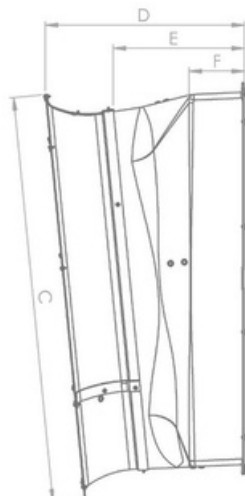
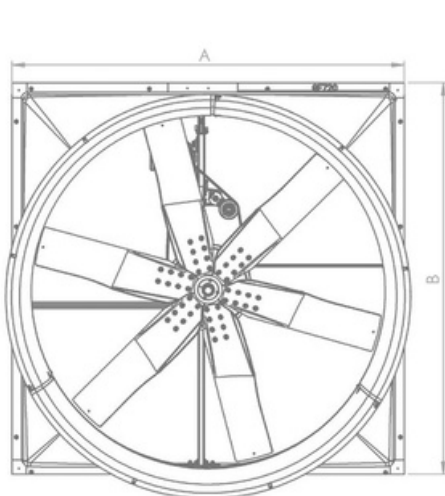
1) All fans are tested in accordance with AMCA 210-16 standard.

2) Other motor configuration available

3) Ask your representative about our various Direct Drive models

# DIMENSIONS (INCHES)

Model	36	55	72	80	84
Fan dia.	36"	55"	72"	80"	84"
A	47 5/8"	62 3/8"	81 7/8"	90 1/2"	90 1/2"
B	47 1/4"	63 3/8"	81 1/2"	90 1/2"	90 1/2"
C	43 1/4"	66 1/2"	84 1/2"	92 1/8"	102 3/8"
D	29 1/2"	36 1/4"	41 3/8"	47 5/8"	41 3/4"
E	23 1/4"	24"	27 1/2"	18 1/8"	27 1/2"
F	9 1/2"	9 1/2"	11 3/4"	n/a	11 3/4"
G	44 1/8"	59"	77 1/2"	86 5/8"	87"
H	44 1/8"	59 7/8"	77 1/2"	86 5/8"	86 1/4"



# GORDIE FANS

FRESH AIR EVERYWHERE



The Gordie fan's angled design ensures fresh air is directed onto every cow, enhancing their comfort and well-being. Installed along the walls of your farm, the Gordie fan effectively increases airspeed and distributes fresh air to your beds and feed alley. This versatile fan complements any natural ventilation system and performs efficiently in all types of climates. Invest in the Gordie fan for superior air quality and a healthier environment for your livestock.

## WARRANTY

- 1-year warranty on 1-phase motors
- 2-year warranty on 3-phase motors
- 5-year warranty on blades
- 10-year warranty on housing



## OPTIONS

- OSHA compliant safety guard
- All stainless structure and guard

## FEATURES + BENEFITS

- Fresh air for EVERY cow in your farm
- Housing made of a durable fiberglass composite for UV-resistant and corrosion-free product
- Round and smooth housing to maximize efficiency and minimize cleaning frequency
- cULus or CE certified motors
- Stainless Steel Hardware

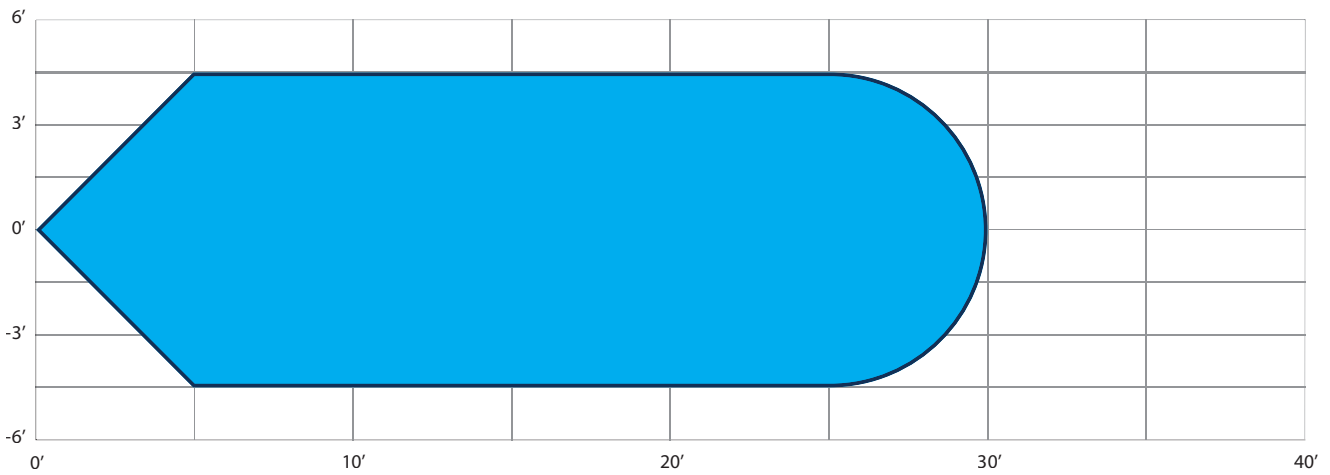
# PERFORMANCE

# 60HZ REGIONS

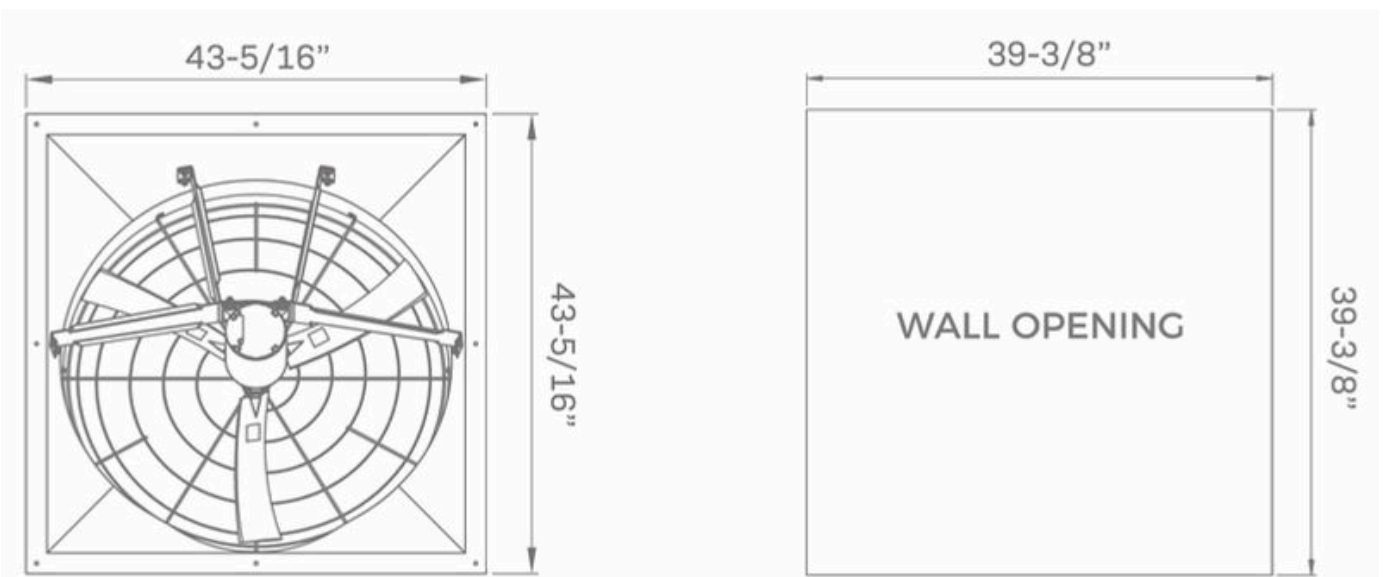
Model	Drive	Ph	Volt	Hz	HP [kW]	Amps	RPM	Speed	CFM 0"	CFM/ W 0"	CFM 0.1"	CFM/ W 0.1"	CFM 0.2"	CFM/ W 0.2"
36	DD	1	230	60	1/2 [0.37]	3.09	825	100%	9,969	19.30	8,257	15.26	5,698	10.49
		3	460	60	1/2 [0.37]	1.5	825	100%	9,965	22.23	8,217	17.28	5,545	11.68

- 1) All fans are tested in accordance with AMCA 210-16 standard.
- 2) Other motor configuration available

# COVERAGE AREA



\*Coverage area is based on an average airspeed of 400 FPM at cow level (3' above ground).



# POSITIVE PRESSURE FANS

## INJECT FRESHNESS



**POSITIVE  
PRESSURE 72 DD**

Primarily used in dairy applications, our Positive Pressure Fans are purpose-built to inject fresh air into the barn. A niche application that is highly beneficial in specialized situations.

They are the best choice of ventilation to provide milking parlors with adequate air exchange and removing humidity. They are also used in long tunnel-ventilated barns to inject fresh air and help reduce the pressure faced by the Exhaust fans.

### **PEAK PERFORMANCES**

Positive Pressure fan 50: 18,500 CFM at 0.1" W.g.

Positive Pressure fan 72: 40,950 CFM at 0.1" W.g.

### **WARRANTY**

1-year warranty on 1-phase motors

2-year warranty on 3-phase motors

5-year warranty on blades

10-year warranty on housing



**POSITIVE  
PRESSURE 50 DD**

### **OPTIONS**

- Available in sizes:
  - 50" and 72"
- Available in Belt Drive and Direct Drive versions
- Save electricity with our variable speed options
- Multiple shutters and winter accessories available.

### **FEATURES + BENEFITS**

- Housing made of Fiberglass composite for a durable, UV-resistant and corrosion-free product
- Mechanized Insulated Shutters provide a complete seal and can be controlled (0-10V) separately from the fan to act as an air inlet when needed
- Formed aluminum blades on Belt Drive and nylon blades on Direct Drive
- Belts can be changed quickly without removing any fan parts
- cULus or CE certified motors
- Stainless Steel #304 Hardware of all fans

# PERFORMANCE

# 60HZ REGIONS

Model	Drive	Ph	Volt	Hz	HP [kW]	Amps	RPM	Speed	CFM 0"	CFM/ W 0"	CFM 0.1"	CFM/ W 0.1"	CFM 0.2"	CFM/ W 0.2"
50	BD	3	230/460	60	1.5 [1.1]	4.6/2.3	388	100%	20,120	22.3	17,780	17.9	10,590	11.2
	DD*	3	360-460	50/60	1.5 [1.1]	2.1	600	100%	20,700	21.1	18,500	17	16,500	14
72	BD	3	230/460	60	3 [2.2]	7.9/3.9	354	100%	45,630	20.1	40,950	16.3	35,420	13.1
	DD*	3	460	60	3 [2.2]	3.3	362	90%	39,485	23.3	34,046	18.5	27,647	14.9

\* EC motor with integrated variable speed control using 0-10VDC and/or Modbus communication.

1) All fans are tested in accordance with AMCA 210-16 standard.

2) Other motor configuration available

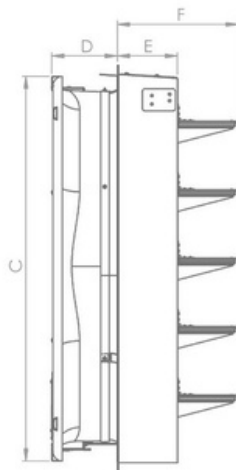
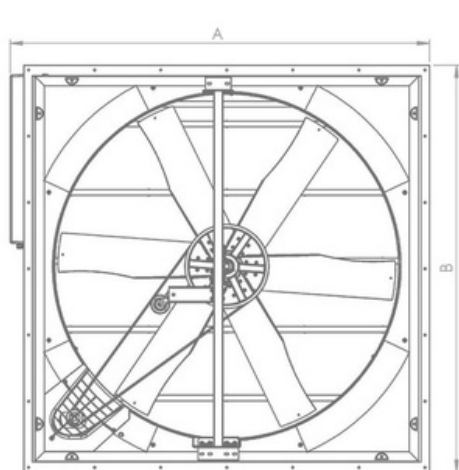
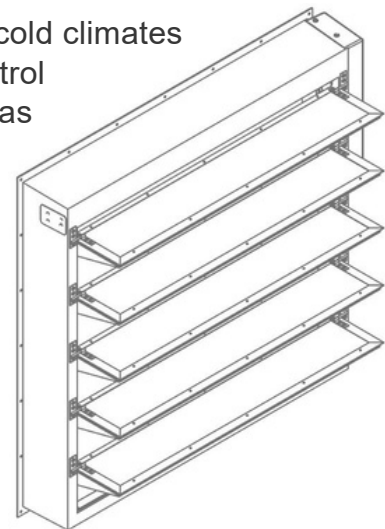
3) Ask your representative about our various Direct Drive models

## DIMENSIONS (INCHES)

Model	50	72
Fan dia.	50"	72"
A	68 1/8"	89 3/4"
B	65"	86 5/8"
C	58 1/4"	81 7/8"
D	11 3/4"	11 3/4"
E	13 3/8"	13 3/8"
F	23 5/8"	26"
G	55 1/8"	78"
H	55 1/8"	78"
C/C distance	87 3/4"	109 1/2"

## MECHANIZED INSULATED SHUTTER

- Tight seal
- Insulated for cold climates
- 0-10VDC control
- Can be used as an air inlet



# BASKET + JET FANS

**BASKET FAN 36 DD**



With high-velocity targeted airflow, our Basket fans and Jet fans are made to provide reliable velocity cooling for your employees and animals. With their compact size, they're easy to install and don't get in the way of your farm equipment even in the most demanding environments.

They are the best choice of ventilation for small or hard to ventilate areas like barns with very low ceilings, milking parlors and robots.

## PEAK PERFORMANCES

Basket fan 24: 5,840 CFM

Basket fan 36: 9,300 CFM

Jet fan 16: 1,910 CFM

Jet fan 20: 3,670 CFM

Jet fan 36: 9,860 CFM

## WARRANTY

1-year warranty on 1-phase motors

2-year warranty on 3-phase motors

5-year warranty on blades

10-year warranty on housing

**JET FAN 20 DD**



## OPTIONS

- Basket fans available in sizes:
  - 24" and 36"
- Jet fans available in sizes:
  - 16", 20", 36"
- High output and high efficiency models
- Jet fans special order

## FEATURES + BENEFITS

- Housing made of Fiberglass composite for a durable, UV-resistant and corrosion-free product
- Powder-coated guards for longevity
- Nylon blades on all models
- Direct drive motors
- cULus or CE certified motors
- Stainless Steel #304 Hardware of all fans

# PERFORMANCE

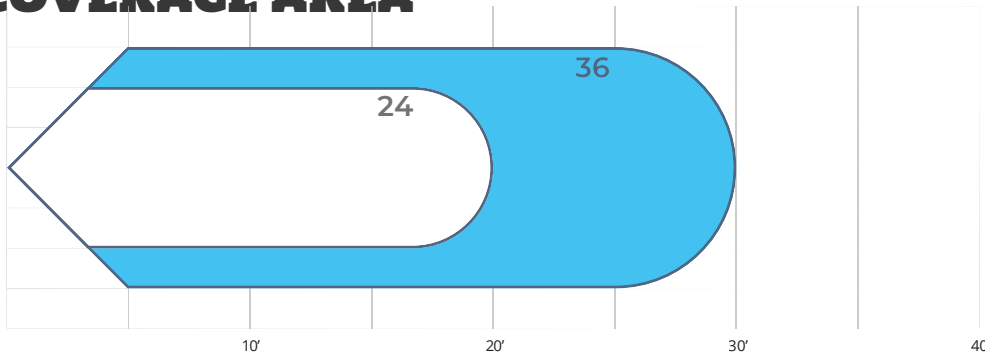
# 60HZ REGIONS

Model	Drive	Ph	Volt	Hz	HP [kW]	Amps	RPM	Speed	Watts	lbf	lbf/kW	CFM	CFM/W
24	DD	1	230	60	1/2 [0.37]	2.8	1,390	100%	576	7.0	12.2	5,840	10.1
36	DD	1	230	60	1/2 [0.37]	3.1	843	100%	575	7.8	13.5	9,250	16.1
	DD	3	460	60	1/2 [0.37]	1.3	849	100%	495	7.9	15.9	9,300	18.8

Model	Drive	Ph	Volt	Hz	HP [kW]	Amps	RPM	Speed	Watts	lbf	lbf/kW	CFM	CFM/W
16	DD	1	230	60	1/3 [0.25]	2.2	1,620	100%	380	1.70	4.5	1,910	5.0
20	DD	1	230	60	1/3 [0.25]	2.2	1,582	100%	429	4.10	9.5	3,670	8.5
36	DD	3	460	60	1/2 [0.37]	1.3	855	100%	470	8.80	18.7	9,860	21.0

1) All fans are tested in accordance with AMCA 230-15 standard.  
 2) Other motor configuration available

# COVERAGE AREA



\* Coverage area is based on an average airspeed of 400 FPM at cow level (3' above ground).  
 \* Barn, climate and animals can interfere with projected coverage area.

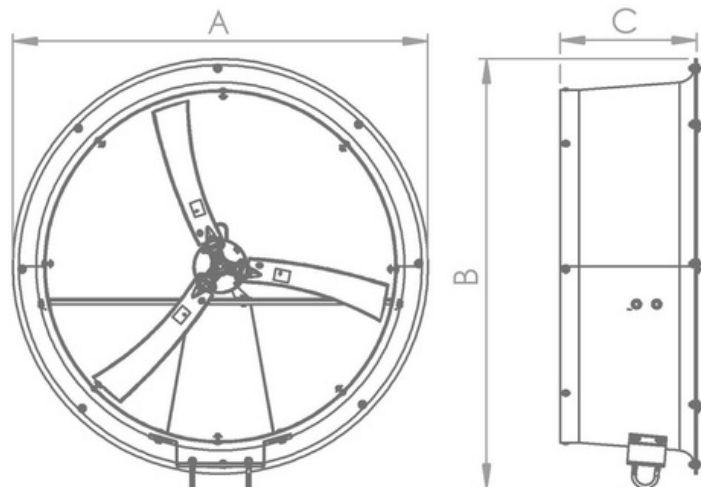
# DIMENSIONS (INCHES)

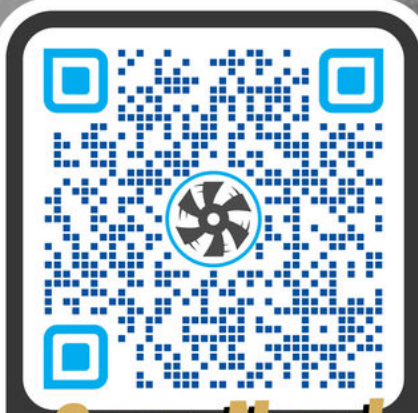
## BASKET FAN

Model	24	36
Fan dia.	24"	36"
A	27 1/2"	41 3/8"
B	27 1/2"	41 3/8"
C	14 1/8"	14 1/8"

## JET FAN

Model	16	20	36
Fan dia.	16"	20"	36"
A	19 1/8"	23"	44 1/4"
B	22"	26 1/8"	45 7/8"
C	24"	24 3/8"	15 3/8"





**Scan Now!**  
[agromatic.net/agro-air-dynamics/](http://agromatic.net/agro-air-dynamics/)



Keep Your Cows Cool!  
Rev: 20260306



(800) 800-5824

W6986 County Hwy OO  
Fond du Lac, WI 54937