



HVLS FAN

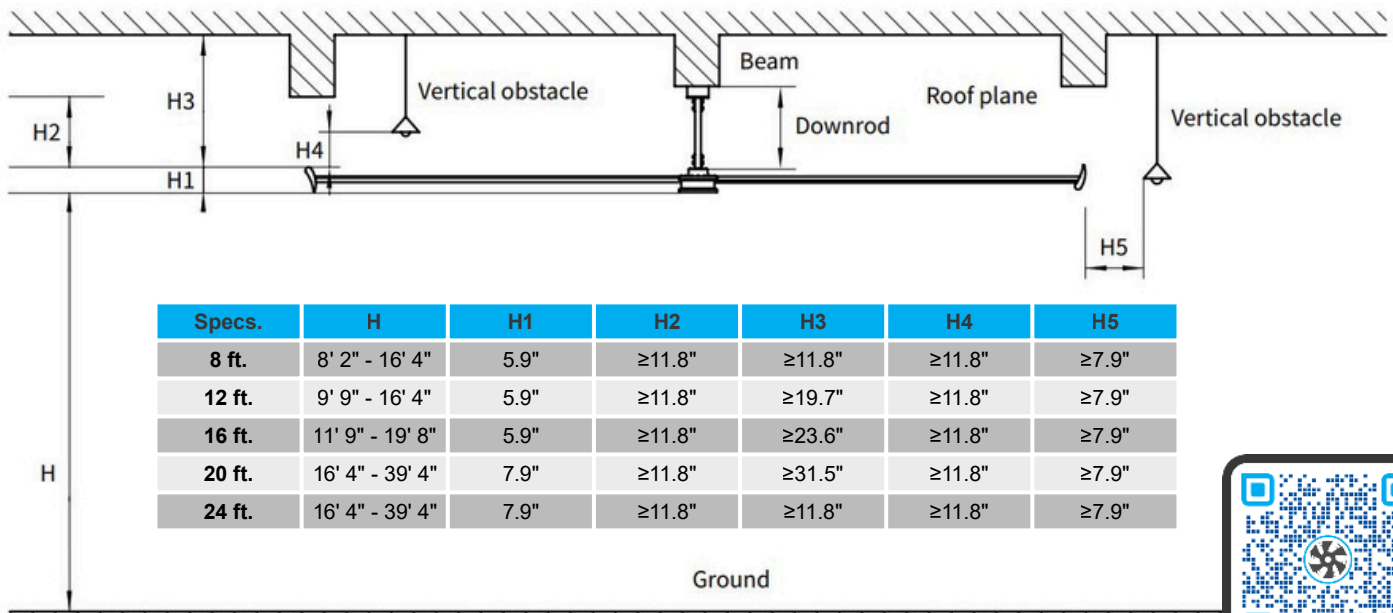
direct drive ceiling fan



- Permanent magnet direct-drive motor
- Saves energy, reduces consumption, and improves comfort
- Compact, lightweight motor: high efficiency, low noise, variable-speed control
- Delivers high-volume airflow to promote full-room air circulation
- Creates a natural, breeze-like cooling effect
- VFD included
- Ideal for:
 - farms
 - industrial plants
 - warehouses
 - exhibition halls
 - gyms
 - supermarkets

Fan Size (ft.)	8			12			16			20			24		
Power (kW)	0.37			0.75			0.75			1.1			1.1		
Horsepower (HP)	0.5			1			1			1.5			1.5		
Voltage (V)	1-Phase	3-Phase	3-Phase	1-Phase	3-Phase	3-Phase	1-Phase	3-Phase	3-Phase	1-Phase	3-Phase	3-Phase	1-Phase	3-Phase	3-Phase
	230V	208-230V	460V	230V	208-230V	460V	230V	208-230V	460V	230V	208-230V	460V	230V	208-230V	460V
Amperage (A)	1.4	1.4	0.6	2.8	2.8	1.3	2.8	2.8	1.3	4.1	4.1	1.9	4.1	4.1	1.9
Speed (RPM)	120			100			80			65			50		
Air Volume (m ³ /min)	4,000			5,000			10,000			11,500			13,000		
Air Volume (CFM)	141,258.8			176,573.5			353,147			406,119.1			459,091.1		
Included Downrod	2'			2'			2'			2'			2'		
Optional Downrod	5' 10"			5' 10"			5' 10"			9' 10"			9' 10"		

*Other specifications can be customized according to user needs.



Specs.	H	H1	H2	H3	H4	H5
8 ft.	8' 2" - 16' 4"	5.9"	≥11.8"	≥11.8"	≥11.8"	≥7.9"
12 ft.	9' 9" - 16' 4"	5.9"	≥11.8"	≥19.7"	≥11.8"	≥7.9"
16 ft.	11' 9" - 19' 8"	5.9"	≥11.8"	≥23.6"	≥11.8"	≥7.9"
20 ft.	16' 4" - 39' 4"	7.9"	≥11.8"	≥31.5"	≥11.8"	≥7.9"
24 ft.	16' 4" - 39' 4"	7.9"	≥11.8"	≥11.8"	≥11.8"	≥7.9"

